



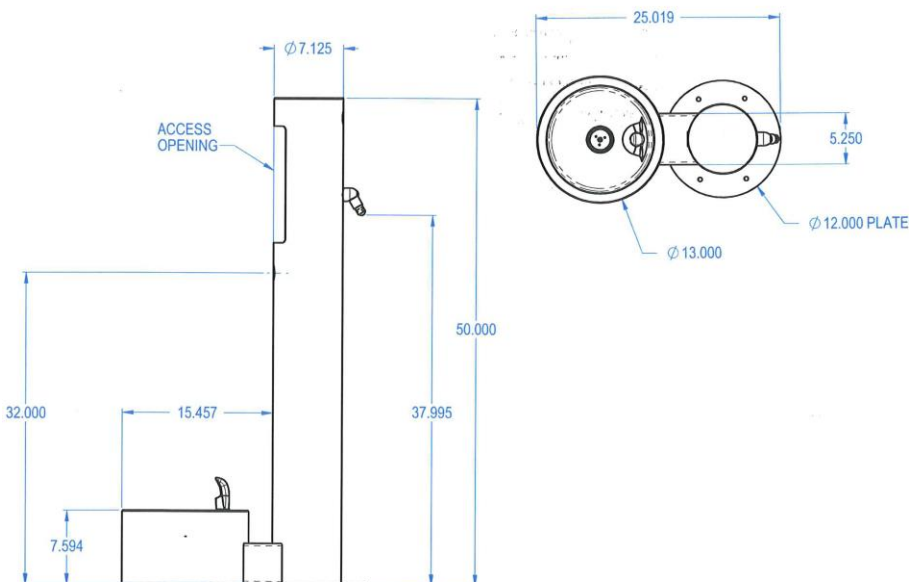
DOG-ON-IT PARKS

DOG-ON-IT-PARKS.COM

Whether a quick paw wash, full bath or just hydrating a thirsty pup, this heavy duty all stainless steel fountain offers it all. With push button metered valves for the shower and a separate push button to fill the slow draining dog bowl, other standard features include a vandal resistant mounting plate, anchoring hardware and resistance to sunlight, heat, moisture and wear. The unit operates on water pressure range of 20-105 psig and requires a 1/2" supply line and a 1.25" waste line.



Top and Side Views:



7218 PET FOUNTAIN W/ SHOWER

Certified Lead Free

**12 gauge stainless
steel construction with
18 gauge, 304 pet bowl**

**Available options:
Leash Hook
Freeze Resistant
Valves**

52"H

DOG-ON-IT-PARKS

4818 Evergreen Way
Ste 250
Everett, WA 98203
P: 877-348-3647

www.dog-on-it-parks.com

Refer to installation manual for
more detailed specifications

Copyright 2016

