



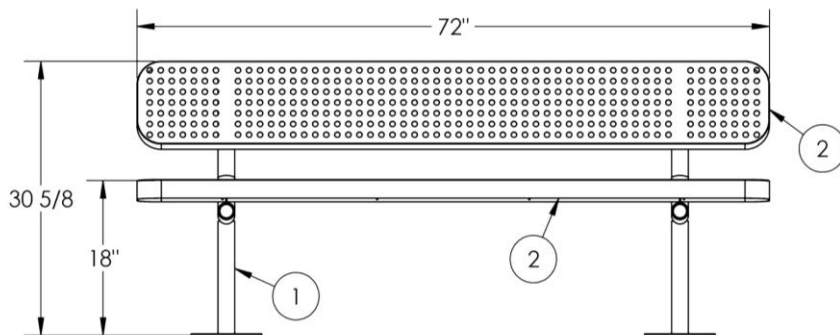
**DOG-ON-IT PARKS**

DOG-ON-IT-PARKS.COM

Our most popular bench - with laser cut paw details on the back rest and a durable poly-vinyl coating on the backrest, seat & frame to help protect against rust and corrosion. The 6' Dog Paw Bench also offers inground, surface mount, and portable frame options for easy installation. Ask us about customization to add your park/community name or recognize a donor.



### Dimensions:



# 7202 DOG PAW BENCH

Heavy gauge, perforated steel with a poly-vinyl coating and paw details

Frame Options: Surface Mount, Inground or Portable

Standard colors: Red/Blue or Green/Black  
Other colors available on request

Dimensions:  
72"L x 21"D x 18"H

### DOG-ON-IT-PARKS

4818 Evergreen Way  
Ste 250  
Everett, WA 98203  
P: 877-348-3647

[www.dog-on-it-parks.com](http://www.dog-on-it-parks.com)

Refer to installation manual for more detailed specifications

Copyright 2019

