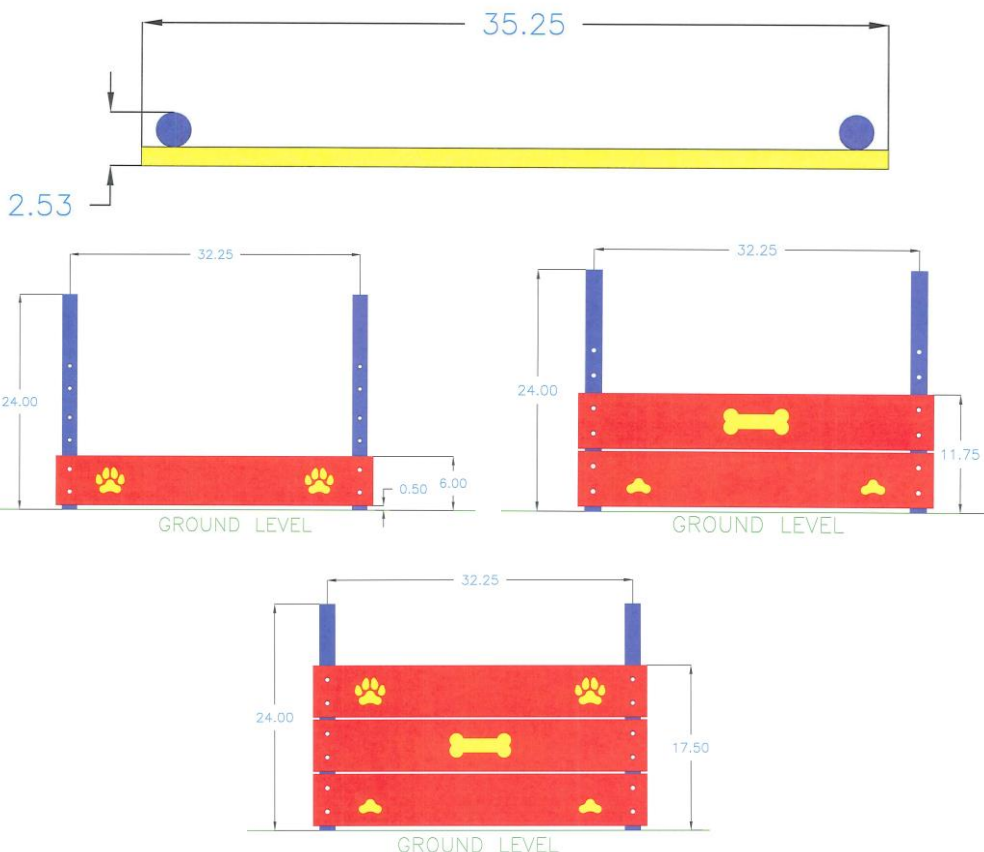




**DOG-ON-IT PARKS**

DOG-ON-IT-PARKS.COM

Wall Jumps are ideal starter pieces for any dog park. They're available in three different heights to help dogs of various sizes and ability levels develop jumping skills. Manufactured with eco-friendly solid poly and rust-proof aluminum uprights, our customizable planks also feature routed paw and bone details to assist with depth perception. Standard colors are Red, Blue or Green with custom colors available for an additional charge. (2 plank option shown)



**6601-6603**

## **WALL JUMPS**

**Bi-color, solid poly  
planks mounted to  
powder coated,  
aluminum guide posts**

**Customizable,  
precision routed paw  
and bone details help  
provide depth  
perception**

**Available in 1, 2 and 3  
plank heights**

**Standard Colors:  
Red, Blue or Green**

### **DOG-ON-IT-PARKS**

4818 Evergreen Way  
Ste 250  
Everett, WA 98203  
P: 877-348-3647

[www.dog-on-it-parks.com](http://www.dog-on-it-parks.com)

Refer to installation manual for  
more detailed specifications

Copyright 2021

