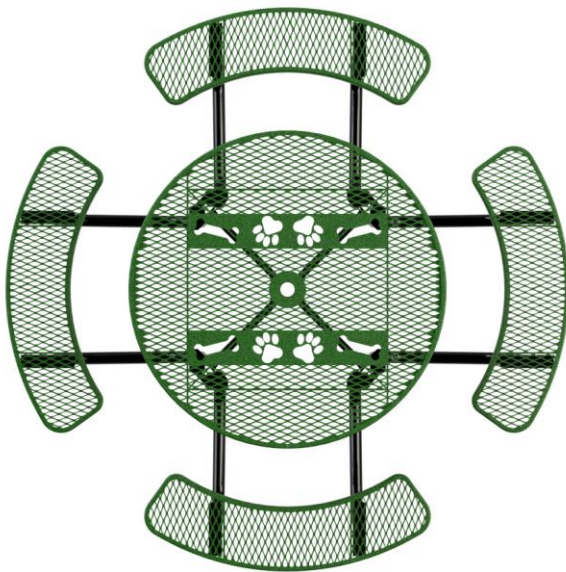




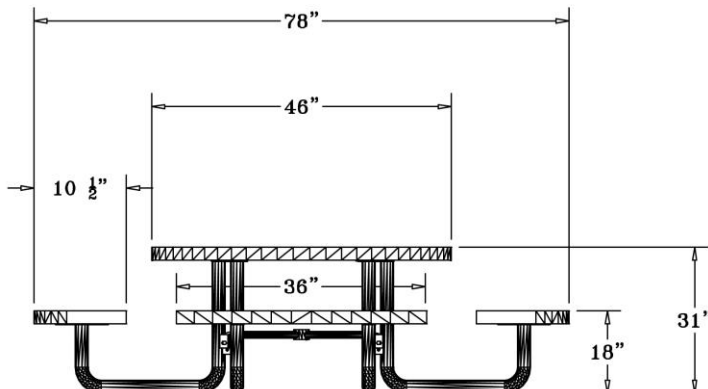
DOG ON IT PARKS

DOG-ON-IT-PARKS.COM

This attractive table features laser cut paw and bone details and a durable textured polyethylene coating to help protect against rust and corrosion. With a convenient portable frame that can also be anchored to the ground, an umbrella hole (shade not included!), ADA options and two standard colors to choose from, the smaller size is also ideal for apartment communities, RV parks and pocket parks. Ask us about customization options to add your park name or recognize a donor!



Top and Side Views:



7207

TOP DOG PICNIC TABLE

Heavy gauge, perforated steel with textured three-step polyethylene coating and paw/bone details

**Standard colors: Red/Blue or Green/Black
Other colors available on request**

**Dimensions:
Table: 46"D x 18"H,
Overall: 78"**

DOG-ON-IT-PARKS

4818 Evergreen Way
Ste 250
Everett, WA 98203
P: 877-348-3647

www.dog-on-it-parks.com

Refer to installation manual for more detailed specifications

Copyright 2016

